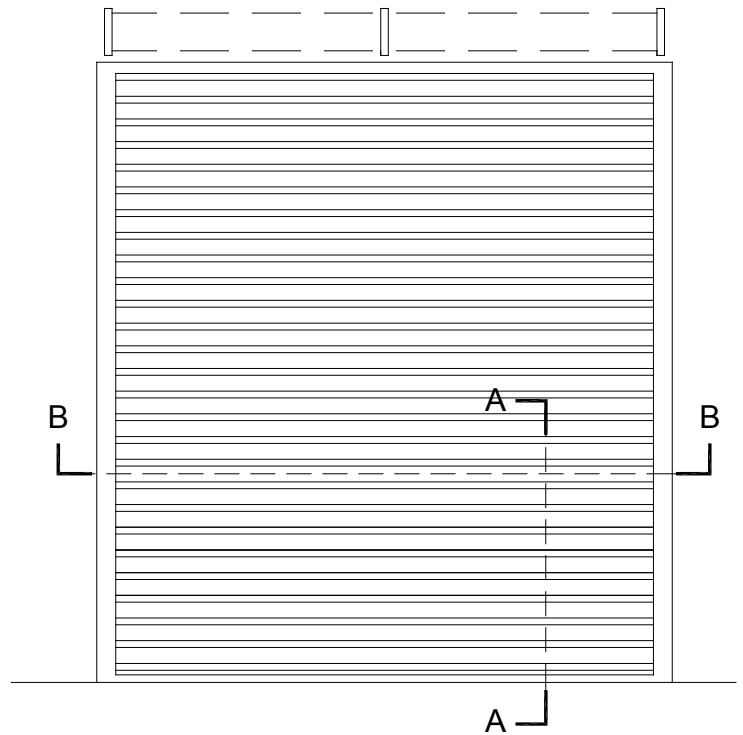
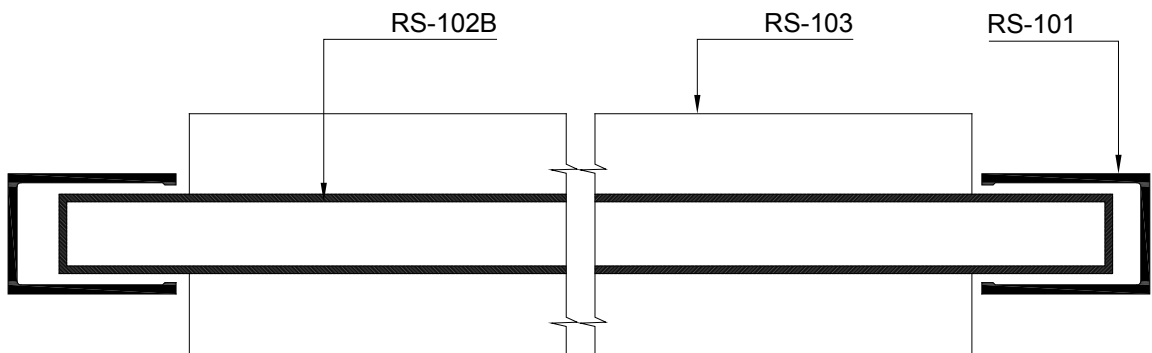


SECTION :- A - A



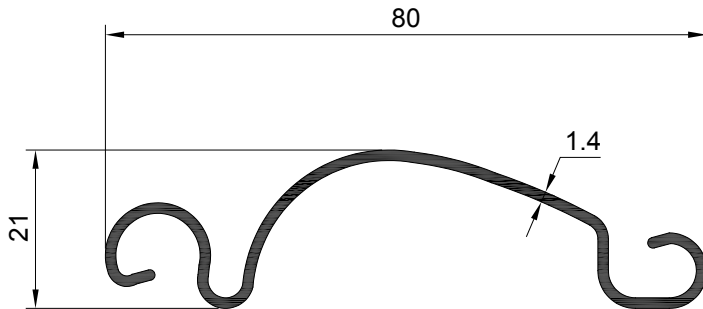
ELEVATION



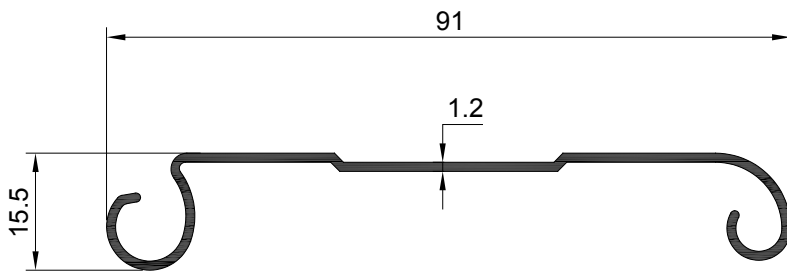
SECTION :- B - B

Roller Shutter

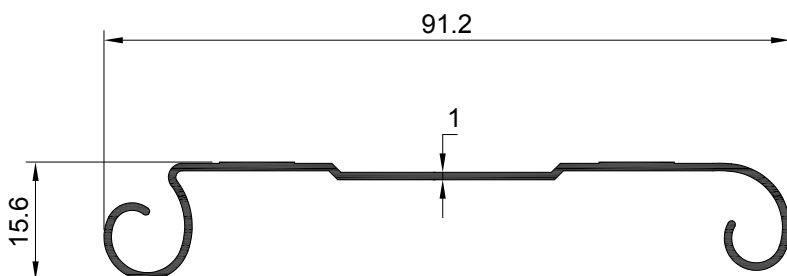
Group 13
Page 02



SECTION NO. - RS - 102 B
EST. WEIGHT - 0.497 KG./M.

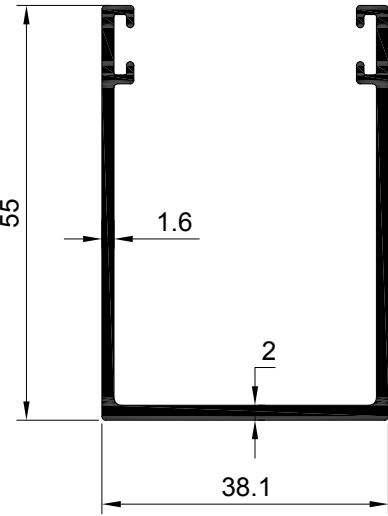
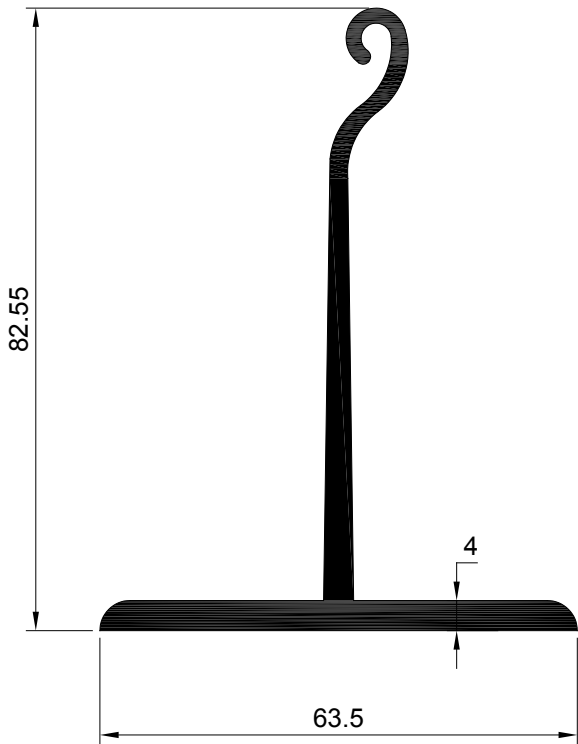


SECTION NO. - RS - 202
EST. WEIGHT - 0.430 KG./M.



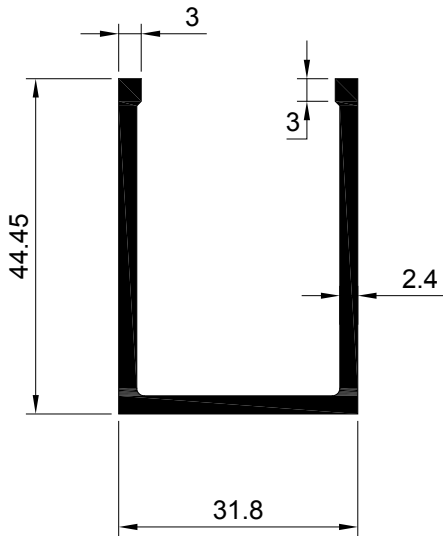
SECTION NO. - RS - 202T
EST. WEIGHT - 0.377 KG./M.

Roller Shutter

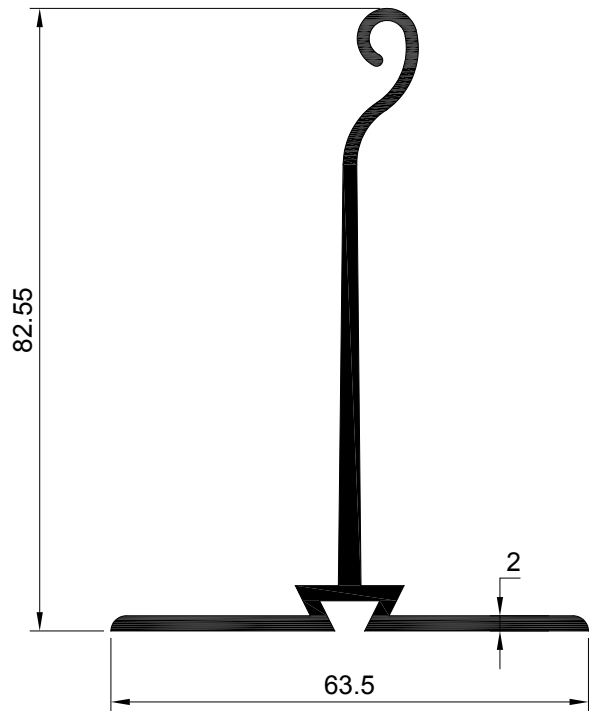


SECTION NO. - RS - 101 B
EST. WEIGHT - 0.716 KG./M.

SECTION NO. - RS - 103
EST. WEIGHT - 1.356 KG./M.



SECTION NO. - RS - 101
EST. WEIGHT - 0.763 KG./M.



SECTION NO. - RS - 103 B
EST. WEIGHT - 0.918 KG./M.

3D Assembly Detail Of Roller Shutter

